

INTERNATIONAL FORTRESS TL-30 GUN SAFE

When safety matters, count on a TL-30 safe with the highest degree of protection in its class

- **Six-sided Composite Protection**

Inner and outer layers of electrically welded steel combines with composite material to resist all forms of attack

- **2-Hour Fire Protection**

Independent laboratory tested at temperatures up to 1850°F for a period of 2 hours

- **Efficient Interior**

Upholstered interior is illuminated by LED lights and offers orderly access to long guns and an entire collection of firearms

- **Boltwork and Locks**

Massive 1.5" chrome plated bolts automatically extend with closed door. Each safe includes dual Underwriters Laboratories Group 2M combination locks; optional high security keylocks or electronic locks can be added

- **Door Organizer**

Offers convenient access to frequently used items such as important documents, valuables, and various sized handguns



RETAIL



FINANCIAL



AMUSEMENT



HOSPITALITY



GAMING



RESTAURANTS



JEWELRY



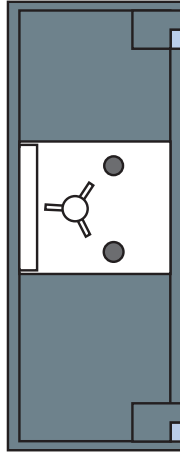
CANNABIS



INTERNATIONAL FORTRESS TL-30 GUN SAFE

Specifications

Model
IF-TL30-5921-GS
Interior H x W x D (in)
59 x 21 x 17
Exterior H x W x D (in)
62.75 x 24.5 x 24.25
Weight (lbs)
1,750
Capacity (cu ft)
12.2



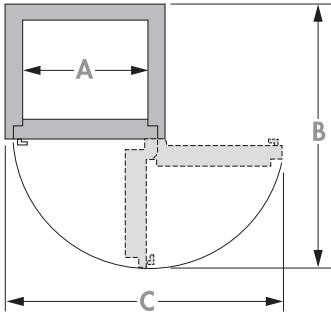
IF-TL-30-5921-GS



Door Swing Dimensions (in)

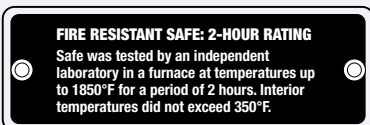
Model	A	B	C
IF-TL30-5921-GS	21	45	47.5

Door Swing Projections



Left hand door swings also available by special order
 Add 2" to depth for hinge & handle projection
 Add 4" to height for removable metal transport base

International Fortress TL-30 Gun Safe with illuminated interior and premium door organizer has a 16 gun capacity. With six-sided protection and 2-hour fire protection you get safety and peace of mind. When protection matters you need the most secure gun safe. Count on Social Safe with over 100 years in the security business.



Distributed By:



510 Washington Blvd.
 Montebello, CA 90640
 (323) 724-5880 Telephone
 (800) 334-6060 Toll Free
 (323) 727-0236 Fax
 www.socalsafe.com

Learn More at:
www.socalsafe.com
 or call your
 Social Safe
 Security Expert
 Toll-Free
800-334-6060

All specifications are approximate and subject to change without notice.