

# SafeLogic – Basic

SecuRam  
Systems, Inc.

# SecuRam®

SecuRam. Security You Can Trust. Ram Tough.



EC-0601A Entrypad  
Polished Chrome



Also available with  
SureLock Battery  
Management System

## Works with these Lock Bodies:



EL-0601  
SwingBolt



EL-0701  
DeadBolt



EL-0901  
StrikeBolt



EL-0801  
SpringBolt

SecuRam® is the registered trademark of SecuRam Systems Inc. USA

## SafeLogic Basic Safe Lock

The SafeLogic Basic is a very reliable and robust safe lock system ideal for most applications.

The SafeLogic Basic features SecuRam's rugged stainless steel construction and our SureLock Battery Management System.

## Simple to Use. Reliable.

- Enter your 6 digit code and turn the safe handle. That's it.
- Easy keypad programming allows for code changes, additions, and deletions. Enable and Disable function also.
- Battery Changes are simple. Pull the SureLock lever at the bottom of the EntryPad to release the battery box, replace the 9 volt battery and slide the battery box back into the EntryPad. No need to remove the EntryPad to change the batteries.

Every SecuRam lock undergoes a 2,000 cycle quality management program before it leaves the manufacturing facility. Unprecedented commitment to quality and reliability.

## Features:

- 2 Codes: Manager Code and User Code
- 9 Volt Battery powers the system
- Battery Changes are simple. Slide upward on the EntryPad to release from snapfit mounting system to change the 9V battery on the back of the Entrypad.
- 5 minute Penalty LockOut upon entry of 4 incorrect codes
- Rugged Stainless Steel EntryPad Housing
- SureLock Battery Management System for easy battery change
- Reset button to set the lock back to factory default
- Standard footprint and mounting pattern, easy retrofit for any mechanical or electronic safe lock
- Finishes available:
  - Chrome (-CH)
  - Brass (-BR)
  - Black Chrome (-BC)
  - Nickel (-NI)
- Can be paired with any other SecuRam motorized safe lock actuators.

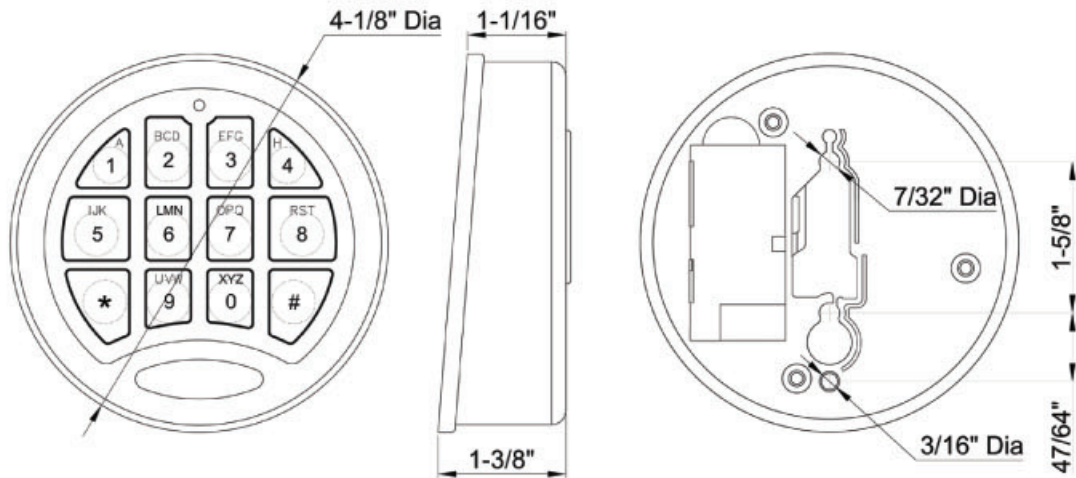
## Part#: EC-0601A

Select your Lock Body:

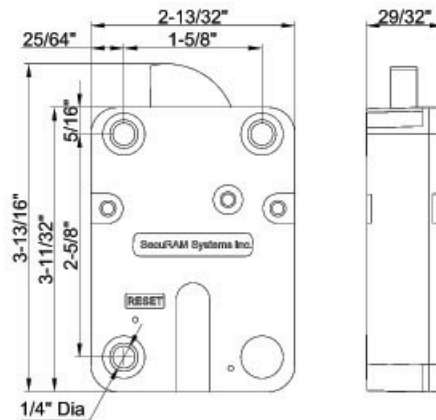
SwingBolt	EL-0601	SwingBolt w/Dual Control	EL-0601-D
DeadBolt	EL-0701	SwingBolt w/10 Users, TD, Dual Mode	EL-0601-C10
SpringBolt	EL-0801	SwingBolt w/30 Users, TD, Dual Mode	EL-0601-C30
StrikeBolt	EL-0901		

Security Expert Since 1991

# SecuRAM

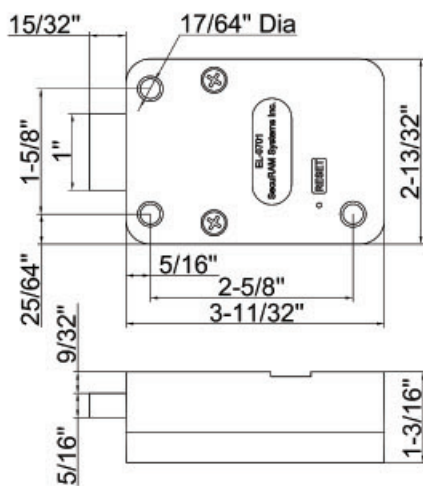


SafeLogic Basic Part #EC-0601A

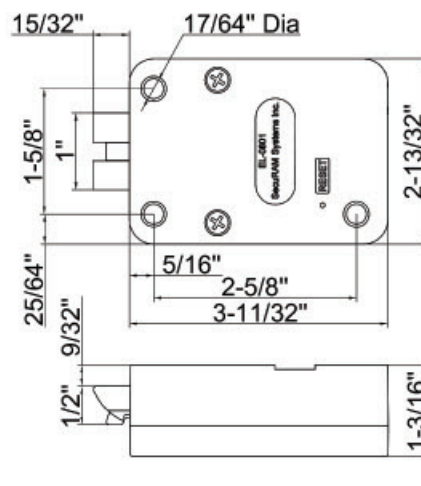


SwingBolt Part #EL-0601

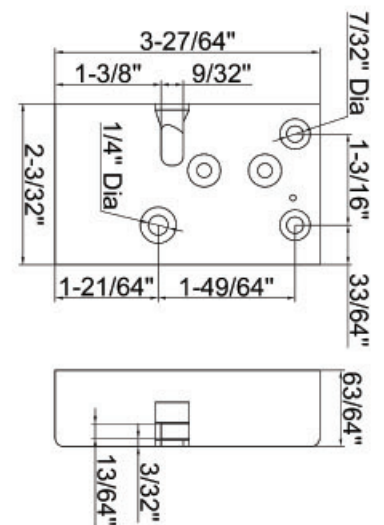
DeadBolt Part #EL-0701



SpringBolt Part #EL-0801



StrikeBolt Part #EL-0901



## Specifications:

Power Supply	(1) 9V Alkaline battery (Duracell)	Power Supply Range	DC 4.5V ~ 12V
Code Length	6 digits	Active Current	< 20mA
Standby Current	< 15µA	Operating Humidity	90% Maximum
Battery Low Voltage	5.2±0.2V	Temperature Range	-40°F~158°F (-40°C~70°C)